

AAS-STAD001-NL

QUAD BAND | H-POL,V-POL / X-POL

- Extend stadium coverage and create seamless WiFi with Amphenol's Hand and Guard Rail Antennas
- Quad band antennas attach unobtrusively to most railings, providing low power and confirmed pattern coverage right where it's needed
- Antennas can be customized with team colors, team logo or corporate advertising/sponsorships

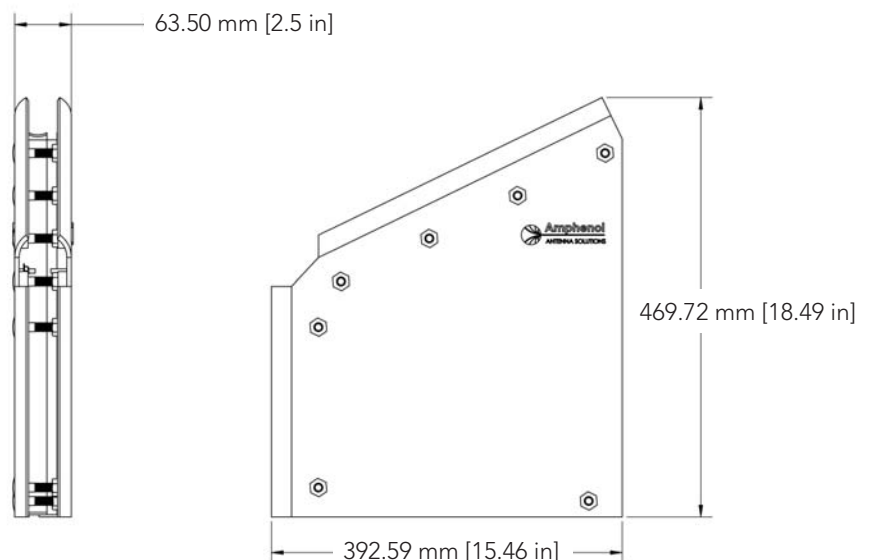
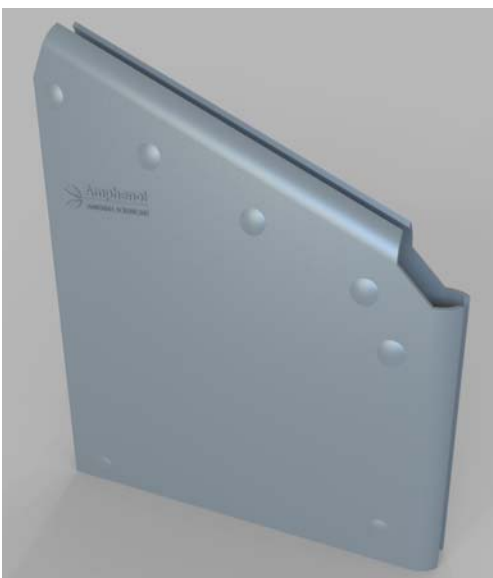


Electrical Characteristics

Frequency Bands (MHz)	(2x) 696-960 MHz		(2x) 1695-2700 MHz			
	696-806	806-960	1695-1880	1850-1990	1900-2180	2200-2700
Polarization	H-Pol / V-Pol		Slant ±45°			
Horizontal Beamwidth	64° ± 45°	71.9° ± 21.6°	48.2° ± 2.8°	44.5° ± 1.8°	44.9° ± 6.7°	35.8° ± 1.4°
Vertical Beamwidth	79.4° ± 12.7°	80.5° ± 11.5°	44.4° ± 4.6°	41.3° ± 1.7°	41.3° ± 7.2°	36° ± 0.7°
Gain	4.5 ± 0.7 dBi	4.4 ± 0.8 dBi	11.5 ± 0.5 dBi	12.2 ± 0.4 dBi	12.0 ± 1.2 dBi	13.4 ± 0.2 dBi
Impedance	50Ω		50Ω			
Passive Intermodulation (2x20W carrier)	-153 dBc		-153 dBc			
VSWR	< 2.5:1		< 1.5:1			
Connector(s)	(4x) 4.3/10 Female					

Mechanical Characteristics

Dimensions	Refer to diagram below. Dimensions will vary depending on installation
Weight	4.4 kg (9.8 lbs)
Mounting Interface	Stadium rail clamp (2.0" diameter)



Quoted performance parameters are provided to offer typical, peak or range values only and may vary as a result of normal testing, manufacturing and operational conditions. Extreme operational conditions and/or stress on structural supports is beyond our control. Such conditions may result in damage to this product. Improvements to products may be made without notice.

AAS-STAD001-NL

QUAD BAND | H-POL,V-POL / X-POL

