

Omni 4-MIMO Ceiling Mount Antenna

698-960MHz

1425-2700MHz

3300-4000MHz

970014X3

- 5G ready
- Flat
- Compact size and light weight
- Easy to be installed Hard and Soft ceiling
- High quality materials UL94-V0



Technical Data

Electrical Specifications

Product No.	4xN Female	97001443		
	4x4.3-10 Female	97001433		
Frequency Range (MHz)	698-960	1425-2700	3300-4000	
Gain (dBi)	4.0	5.5	6.0	
Horizontal Beamwidth (°)	360°			
Vertical Beamwidth (°)	110°-120°	30°-68°	20°-48°	
Polarization	Horizontal			
Isolation	>15dB	>20dB	>28dB	
VSWR	≤1.8	≤1.7	≤1.7	
PIM, 3rd Order, 2x20W	≤-150 dBc			
Input Power (W)	100			
Impedance (Ω)	50			
Lightning Protection	DC Ground			

Mechanical Specifications

Dimensions (excluding connectors and mounting bracket) (mm)	Ø355x14.0 mm
Weight (including connectors and mounting bracket) (kg)	Approx 1.6
Color	White
Reflector Material	PCB
Radome Material	ASA-PC (UL94-V0)

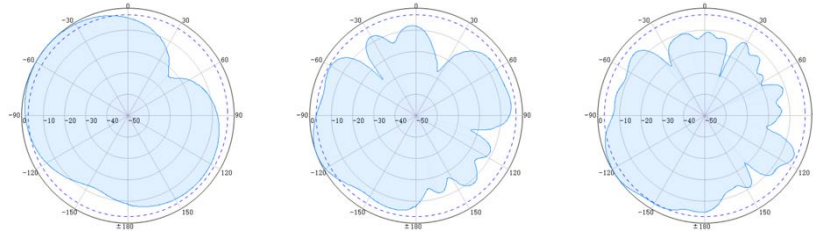
Environmental Specifications

Operational Temperature (°C)	-40 to +65
------------------------------	------------

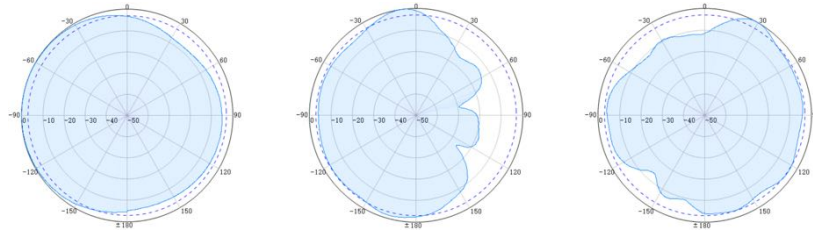
Omni 4-MIMO Ceiling Mount Antenna

Radiation Patterns

Horizontal



Vertical

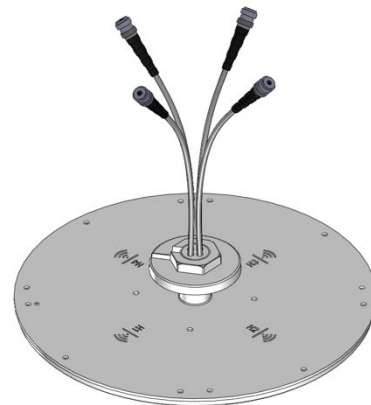


698

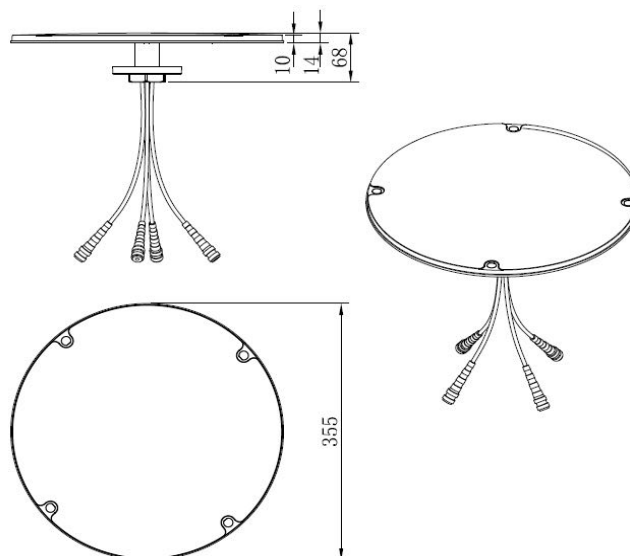
2100

3500

Product Photos

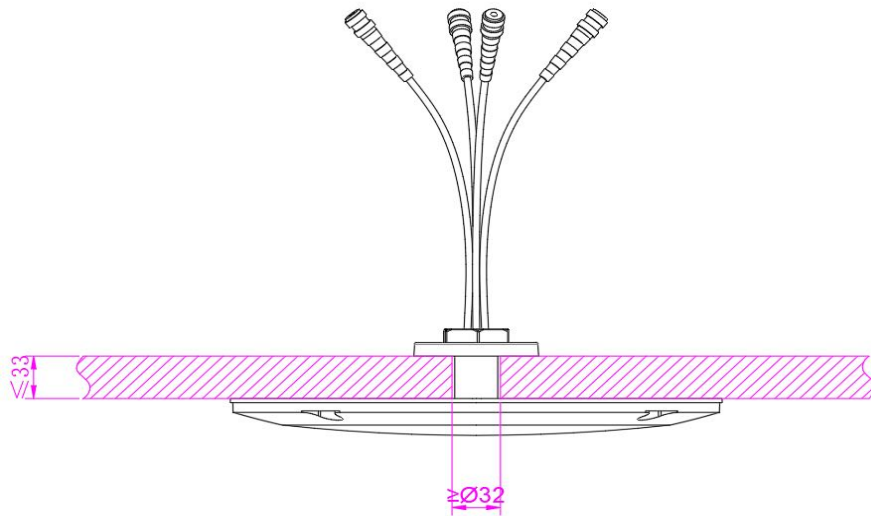


Mechanical Drawing



Omni 4-MIMO Ceiling Mount Antenna

Option 1 Installation on Soft Ceiling



Option 2 Installation on Hard Ceiling

